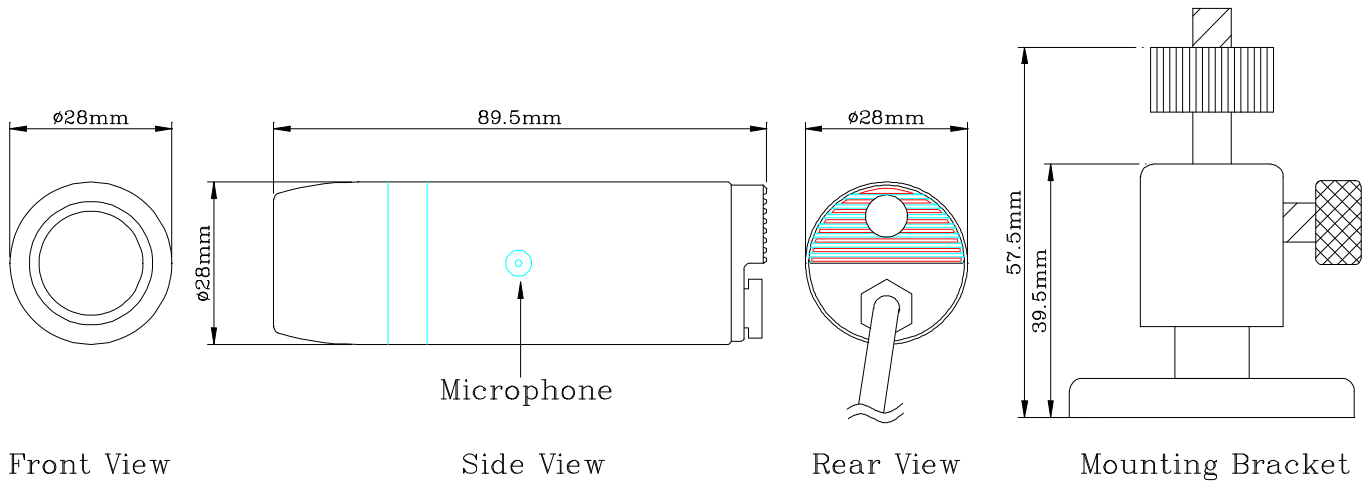


# 1/4" COLOR BULLET CAMERA



## FEATURES

- q COLOR camera with SONY 1/4" CCD sensor in bullet type case.
- q Employs SONY Digital Signal Processor (DSP) IC for image control.
- q Pixel number : NTSC=270,000 / PAL=320,000.
- q Reduced fixed pattern noise and lag. No sticking and no image distortion. Excellent antiblooming. Low smear.
- q Supports functions: Auto Electronic Shutter (AES), Auto Gain Control (AGC), Auto White Balance (AWB), built-in Audio (optional).
- q Built-in anti-aliasing and IR-cut optical filter.
- q Furnished with Mini Lens and Mounting Bracket.
- q Furnished with DC power cable and video cable.
- q DC type, low power consumption. Economical, aesthetic.

## SPECIFICATIONS (Note: Design and specifications are subject to change without prior notice.)

<b>Image Pick-up Device</b>	SONY 1/4" Super HAD CCD sensor
<b>Effective Picture Elements</b>	NTSC: 510*492, PAL: 500*582 (H*V)
<b>Horizontal Resolution</b>	420 TV Lines
<b>Minimum Illumination</b>	0.5 LUX, F=1.2
<b>S/N Ratio</b>	More than 48 dB
<b>Auto Electronic Shutter</b>	NTSC:1/60s~1/100,000s, PAL:1/50s~1/110,000s.
<b>Auto Gain Control</b>	Yes
<b>Auto White Balance</b>	Color Temperature: 2500° K~9500° K.
<b>Gama Characteristic</b>	0.45
<b>Synchronous System</b>	Internal, Negative sync.
<b>Video Output</b>	1 Vp-p / 75 Ohms. BNC connector.
<b>Audio Function</b>	2 Vp-p / 50 Ohms. RCA connector.
<b>Power Supply</b>	12V DC ? 10?
<b>Power Consumption</b>	1.44W / 120mA
<b>Lens Furnished</b>	Board lens f 3.6 mm / F2.0
<b>Operating Temp.</b>	-10? to 50? (14? to 122? )

\* Warning: This product is with patent, any unauthorized actions are strictly prohibited, it will establish liability of legal actions.